

Washer Huller LE0824

Continuous or discontinuous operation

Cylinder diameter: 800mm

Cylinder length: 2.40m

Useful capacity: 0.5 m³

(340 kg of unshelled fresh walnuts).

-Shelling time: 15 to 25 min.

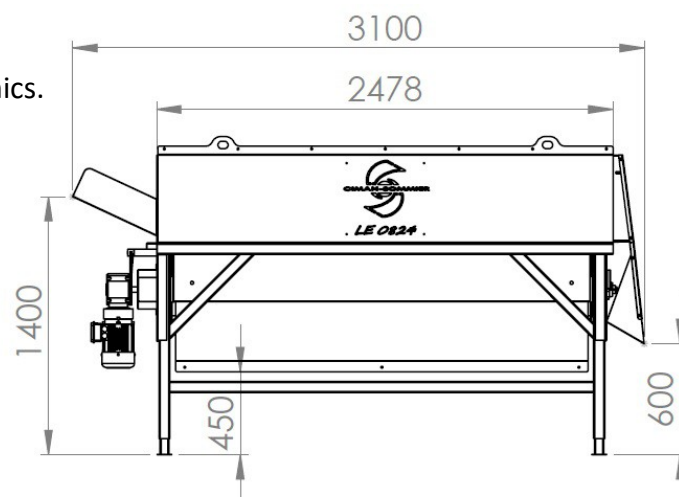
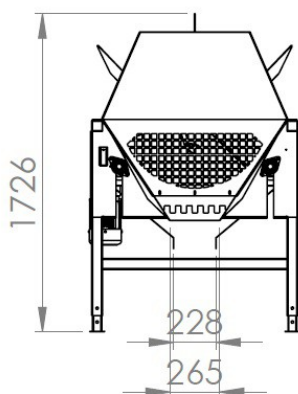
Power supply

- 400V three-phase (220V option)

- Power: 2.2 kW

- Variable speed drive with selector (skimming/draining).

- Very robust, maintenance-free mechanics.



Dimensions :

Longueur : 3.10 m

Largeur : 1.14 m

Hauteur : 1.72 m

